

Where Smart Innovation
Meets Premium Living



küche
appliances made simple

Redefining Smart Modern Living With Gas



Intelligent HeatShield*

The hob's Intelligent HeatShield system uses a thermistor sensor and control chip to monitor cookware temperature and once it exceeds 280°C, the Küche intelligent gas hob automatically cuts off the gas supply for safety.



5 Intelligent Pre-Programmed Cooking Modes*

Each mode has pre-programmed heat profiles and timings for consistent results:

- Soup: 90 Minutes
- Boiling: 10 Minutes
- Steam: 30 Minutes
- Deep Fry: 200°C
- Pan Fry: 150°C



Built-In Timer Control

Stop or adjust cooking time directly from the app.



Seamless Remote Control

Allows users to turn off the hob remotely (within safety constraints of gas appliances).



9-Level Precise Flame Control

With a 270° knob rotation and nine flame levels, users can make precise adjustments, while the chip automatically maintains consistent heat for steady cooking.

Küche

*Only applicable for KGH800GW

KGH800GW

80cm Smart Wi-Fi Intelligent Hob With 2 Burners

küche



Wi-Fi
SERIES

Matte Black

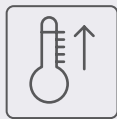
SPECIFICATIONS



Remote
Timer Control



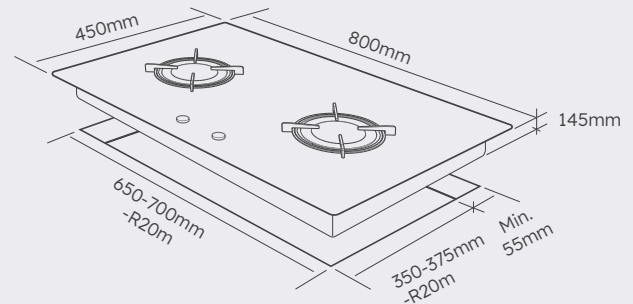
Remote
Shut Off



Preset
Temperature



5 Cooking
Modes



1. 800mm Matte Black Tempered Glass Top

2. 5 Intelligent Cooking Modes

- Soup: 90 Minutes
- Boiling: 10 Minutes
- Steam: 30 Minutes
- Deep Fry: 200°C
- Pan Fry: 150°C

3. Intelligent HeatShield

4. 270° Wide-Range, 9-Level Precise Flame Control

5. Constant Temperature Control From 140 To 220°C

6. Timer Control (0-180 Minutes)

7. 4.2kW High Heat Output

8. Quick Ignition

Dimensions: W800 x D450 x H145mm

Cut Out Dimensions: W650~700 x D350~375mm

POWER SUPPLY

Voltage: 220~240V~

Frequency: 50/60Hz

APP FEATURES



Timer
Control



Usage
And Error
Notification



Hob And Hood
Interlocking



Remote
Shutdown



Data
Analytics

Download The
iAppliances App
For Smart Control



Download on the
App Store



GET IT ON
Google Play

A distinguished brand of

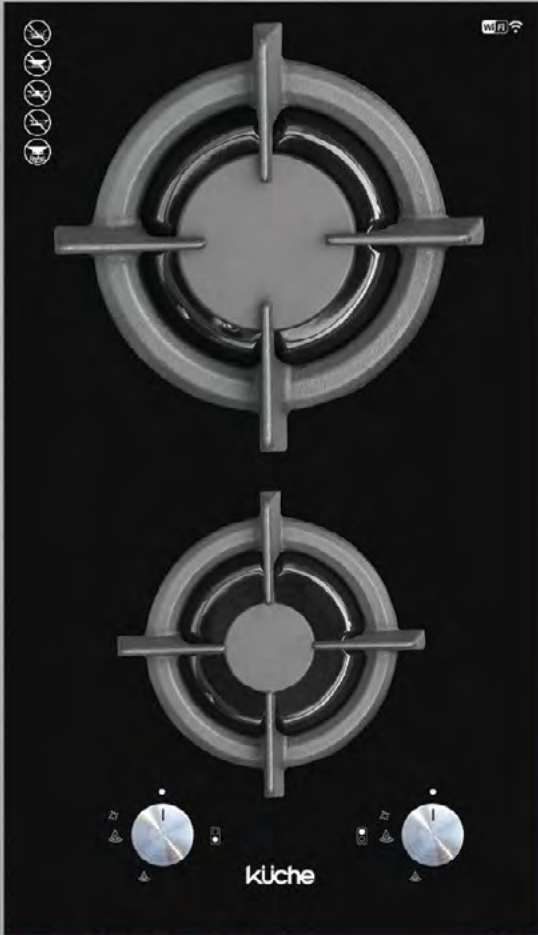
CityEnergy

küche

KGH320GW

30cm Smart Wi-Fi Hob

With 2 Burners



Wi-Fi
SERIES



Stainless Steel



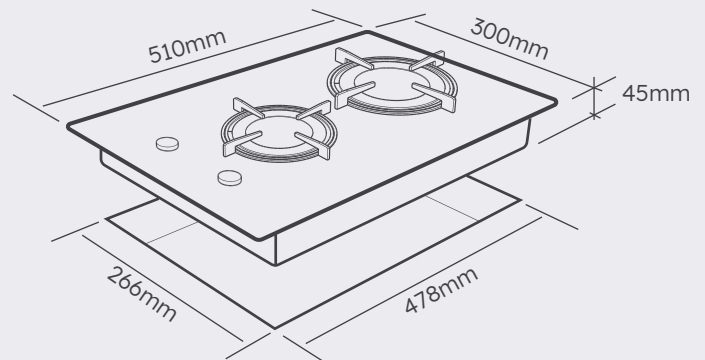
Black

SPECIFICATIONS

1. Black Tempered Glass Top
2. 2 Efficient Burners
3. Sturdy Cast Iron Pan Support
4. Flame Failure Device For Safety
5. Easy-To-Use Electric Ignition

POWER SUPPLY

Voltage:	220-240V~
Frequency:	50/60Hz
G110(Town Gas):	10mbar Σ Qn 4.25kW 3.6V DC / 13A / 4.68W



Dimensions: W300 x D510mm x H45mm

Cut Out Dimensions: W266 x D478mm

APP FEATURES



Timer Control



Usage Notification



1.2m Power Cable
Included



Remote Shutdown



Gas Consumption
Statistics

Download The
iAppliances App
For Smart Control



Download on the
App Store



GET IT ON
Google Play

A distinguished brand of

 CityEnergy

KGH630GW

60cm Smart Wi-Fi Hob With 3 Burners

küche



Wi-Fi
SERIES



Stainless Steel



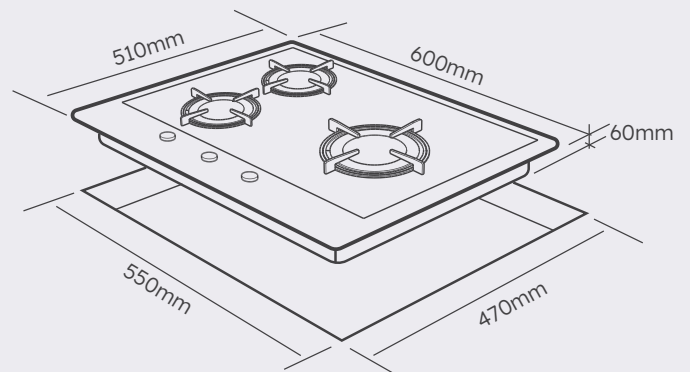
Black

SPECIFICATIONS

1. Black Tempered Glass Top
2. 3 Efficient Burners
3. Sturdy Cast Iron Pan Support
4. Flame Failure Device For Safety
5. Easy-To-Use Electric Ignition

POWER SUPPLY

Voltage: 220-240V~
Frequency: 50/60Hz
G110(Town Gas): 10mbar ΣQn 6.3kW
3.6V DC / 1.3A / 4.68W



Dimensions: W600 x D510mm x H60mm

Cut Out Dimensions: W550 x D470mm

APP FEATURES



Timer Control



Usage Notification



1.2m Power Cable
Included



Remote Shutdown



Gas Consumption
Statistics

Download The
iAppliances App
For Smart Control



Download on the
App Store



GET IT ON
Google Play

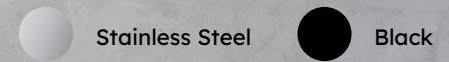
A distinguished brand of

CityEnergy

KGH720GW

78cm Smart Wi-Fi Hob With 2 Burners

küche

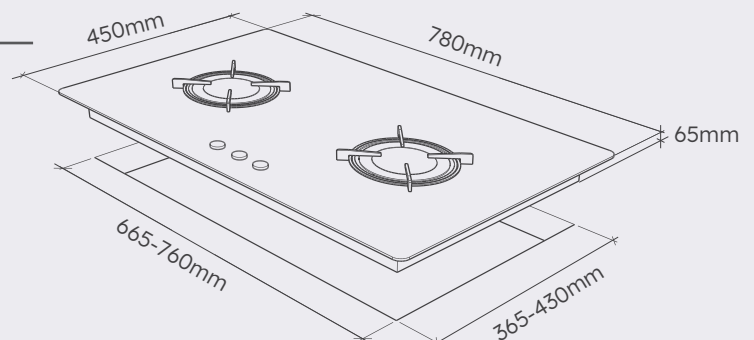


SPECIFICATIONS

1. Black Tempered Glass Top
2. 2 Efficient Burners
3. Sturdy Cast Iron Pan Support
4. Flame Failure Device For Safety
5. Easy-To-Use Electric Ignition

POWER SUPPLY

Voltage: 220-240V~
Frequency: 50/60Hz
G110(Town Gas): 10mbar ΣQn 7.2kW
3.6V DC / 1.3A / 4.68W



Dimensions: W780 x D450mm x H65mm

Cut Out Dimensions: W665-760 x D365-430mm

APP FEATURES



Timer Control



Usage Notification



1.2m Power Cable
Included



Remote Shutdown



Gas Consumption
Statistics

Download The
iAppliances App
For Smart Control



Download on the
App Store



GET IT ON
Google Play

A distinguished brand of



KGH730GW

78cm Smart Wi-Fi Hob With 3 Burners

küche



Wi-Fi
SERIES



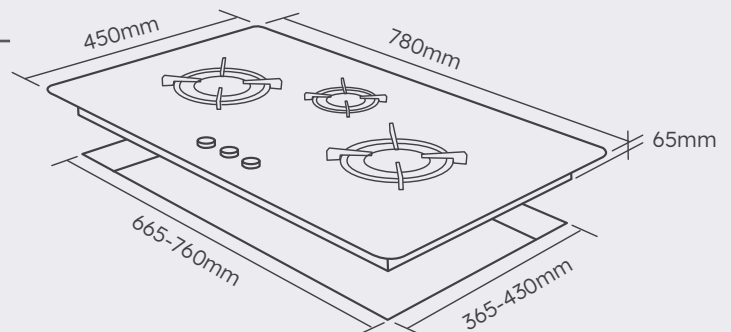
Stainless Steel



Black

SPECIFICATIONS

1. Black Tempered Glass Top
2. 3 Efficient Burners
3. Sturdy Cast Iron Pan Support
4. Flame Failure Device For Safety
5. Easy-To-Use Electric Ignition



POWER SUPPLY

Voltage: 220-240V~
Frequency: 50/60Hz
G110(Town Gas): 10mbar ΣQn 8.8kW
3.6V DC / 1.3A / 4.68W

Dimensions: W780 x D450mm x H65mm
Cut Out Dimensions: W665-760 x D365-430mm

APP FEATURES



Timer Control



Usage Notification



1.2m Power Cable
Included



Remote Shutdown



Gas Consumption
Statistics

Download The
iAppliances App
For Smart Control



Download on the
App Store



GET IT ON
Google Play

A distinguished brand of

CityEnergy

küche

KID300GW

30cm 2-Zone

Smart Induction Hob



Wi-Fi
SERIES

Black

SPECIFICATIONS



Remote
Timer Control



9 Power
Levels



Power Boost
Function

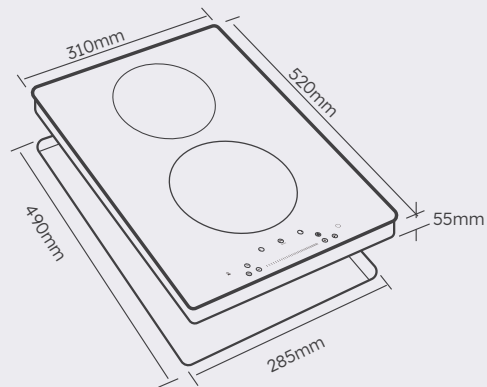


Touch
Control

1. Power Boost Function Delivers Maximum Heat For Up To 5 Minutes
2. Two 1.8kW Zones (Diameter 180mm Each)
3. 2 Individual Residual Heat Indicators
4. Includes Automatic Safety Switch-Off And Pan Detection
5. Dry Burn And Overflow Water Protection
6. Alarms And Protection Against Higher/Incorrect Voltage And Overheating
7. 1.5m Power Cable Included

POWER SUPPLY

Voltage:	220-240V~
Frequency:	50/60Hz
Power:	1900W Per Individual Element
Max Power:	2800W
Max Amps:	13A / 16A / 18A



Dimensions: W310 x D520 x H55mm

Cut Out Dimensions: W285 x D490mm

APP FEATURES



Timer Control



Usage Notification



Error Notification



Remote Shutdown



Data Analytics

Download The
iAppliances App
For Smart Control



Download on the
App Store



GET IT ON
Google Play

A distinguished brand of

 CityEnergy

KID600GW

60cm 3-Zone Smart Induction Hob

küche



Wi-Fi
SERIES

Black

SPECIFICATIONS



Remote
Timer Control



9 Power
Levels

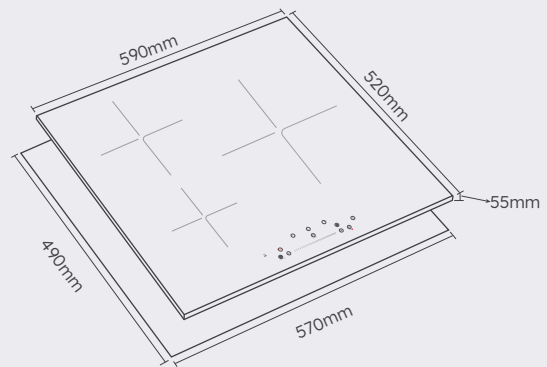


Power Boost
Function



Touch
Control

1. Power Boost Function Delivers Maximum Heat For Up To 5 Minutes
2. Left Power: 2200W, Middle Power: 1600W
Right Power: 2200W, Max. Power: 6000W
(Diameter 180mm + 160mm + 280mm)
3. 3 Individual Residual Heat Indicators
4. Includes Automatic Safety Switch-Off And Pan Detection
5. Dry Burn And Water Overflow Protection
6. Alarms And Protection Against Higher/Incorrect Voltage
And Overheating
7. 1.5m Power Cable Included



Dimensions: W590 x D520 x H55mm

Cut Out Dimensions: W570 x D490mm

POWER SUPPLY

Voltage: 220-240V~

Frequency: 50/60Hz

Max Amps: 15A / 20A / 30A

APP FEATURES



Timer Control



Usage Notification



Error Notification



Remote Shutdown



Data Analytics

Download The
iAppliances App
For Smart Control



Download on the
App Store



GET IT ON
Google Play

A distinguished brand of

CityEnergy

KRH63BW

60cm Smart Telescopic Hood

küche



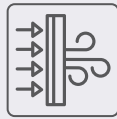
Wi-Fi
SERIES

Black

SPECIFICATIONS



Max Extraction
Power: 500m³/h



Re-circulation Mode
Removes Odours



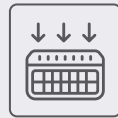
80W
Motor Fan



1.5W
Rectangular
LED Light



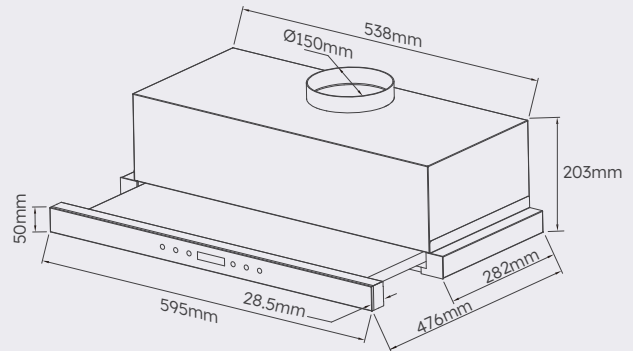
1.64m Power
Cable
Included



Aluminium
Grease Filters
And Charcoal
Filters



3-Speed
Touch
Control



Dimensions:

W595 x D310.5 x H203mm

POWER SUPPLY

Voltage: 220-240V

Frequency: 50Hz

Power: 80W

Lamp: 1.5W

Noise: <60dB

APP FEATURES



Timer Control



Usage Notification



Error Notification



Remote Shutdown



Data Analytics

Download The
iAppliances App
For Smart Control



Download on the
App Store



GET IT ON
Google Play

A distinguished brand of

CityEnergy

KRH93BW

90cm Smart Telescopic Hood

küche



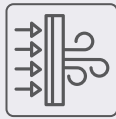
Wi-Fi
SERIES

Black

SPECIFICATIONS



Max Extraction
Power: 500m³/h



Re-circulation Mode
Removes Odours



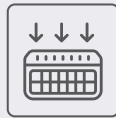
80W
Motor Fan



1.5W
Rectangular
LED Light



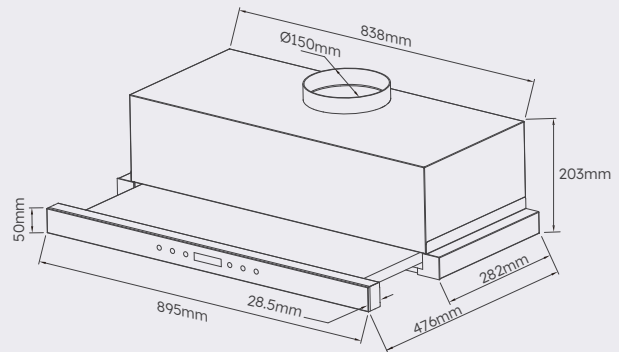
1.64m Power
Cable
Included



Aluminium
Grease Filters
And Charcoal
Filters



3-Speed
Touch
Control



Dimensions: W895 x D310.5 x H203mm

POWER SUPPLY

Voltage:	220-240V
Frequency:	50Hz
Power:	80W
Lamp:	1.5W
Noise:	<60dB

APP FEATURES



Timer Control



Usage Notification



Error Notification



Remote Shutdown



Data Analytics

Download The
iAppliances App
For Smart Control



Download on the
App Store



GET IT ON
Google Play

A distinguished brand of



KSH60BW

60cm Smart Slim Hood

küche



Wi-Fi
SERIES



Stainless Steel

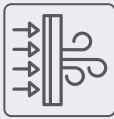


Black

SPECIFICATIONS



Max Extraction
Power: 500m³/h



Re-circulation
Mode Removes
Odours



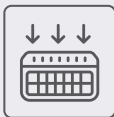
Provides
Intelligent
Automation For
Efficiency



2x 65W
Motor Fans



2x 1.5W
Rectangular
LED Lights



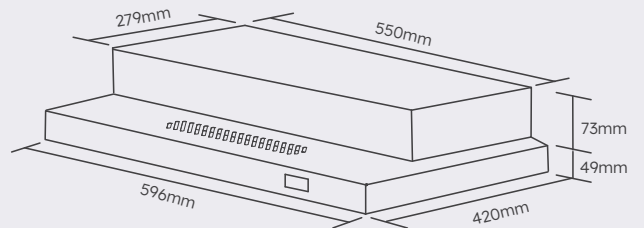
2x Aluminium
Grease Filters
And 2x
Charcoal Filters



1.1m Power
Cable Included



3-Speed
Touch Control



Dimensions:

W596 x D420 x H122mm

POWER SUPPLY

Voltage: 220-240V

Frequency: 50Hz

Power: 2x 65W

Lamp: 2x 1.5W

Total Power: 133W

Noise: <65dB

APP FEATURES



Timer Control



Usage Notification



Error Notification



Remote Shutdown



Data Analytics

Download The
iAppliances App
For Smart Control



Download on the
App Store



GET IT ON
Google Play

A distinguished brand of



KSH90BW

90cm Smart Slim Hood

küche



Wi-Fi
SERIES



Stainless Steel

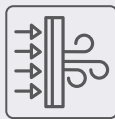


Black

SPECIFICATIONS



Max Extraction Power: 600m³/h



Re-circulation Mode Removes Odours



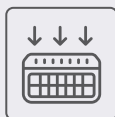
Provides Intelligent Automation For Efficiency



2x 65W Motor Fans



2x 1.5W Rectangular LED Lights



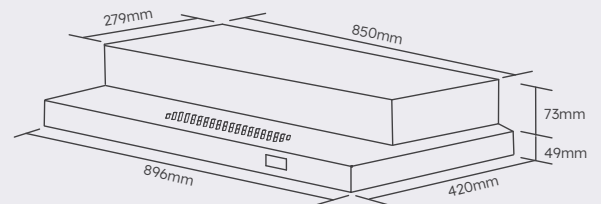
3x Aluminium Grease Filters And 2x Charcoal Filters



1.1m Power Cable Included



3-Speed Touch Control



Dimensions:

W896 x D420 x H122mm

POWER SUPPLY

Voltage:	220-240V
Frequency:	50Hz
Power:	2x 65W
Lamp:	2x 1.5W
Total Power:	133W
Noise:	<65dB

APP FEATURES



Timer Control



Usage Notification



Error Notification



Remote Shutdown



Data Analytics

Download The Appliances App For Smart Control



Download on the App Store



GET IT ON Google Play

A distinguished brand of



K25MO

Built-In Microwave Oven With Convection

küche



Convection



Black

SPECIFICATIONS



Digital Timer



Child Safety Lock



Touch Control



Capacity: 25L



10x Functions



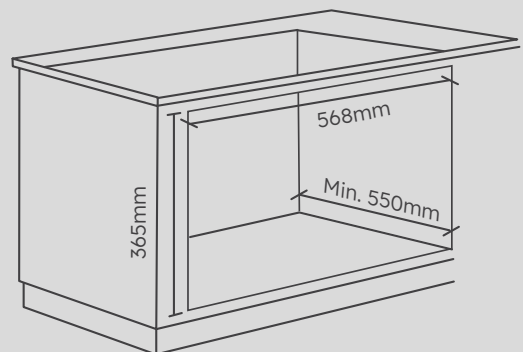
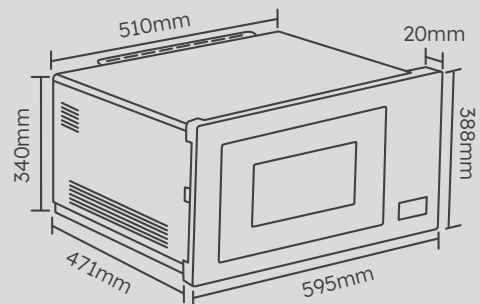
Speedy Defrost

1. Tempered Glass
2. LED Display

3. Sleek Black Design
4. 1.0m Power Cable Included

POWER SUPPLY

Voltage:	230V
Frequency:	50Hz
Microwave Output:	900W
Grill Power:	1100W
Convection Power:	2500W



Dimensions: W595 x L471 x H388mm
Cut Out Dimensions: W568 x L550 x H365mm

A distinguished brand of

 CityEnergy

K45MG

Built-In Microwave Oven With Fan Grill

küche



Fan Grill



Black

SPECIFICATIONS



Electronic Clock



Child Safety Lock



Touch Control



Capacity: 45L



9x Functions



8x Automatic Recipes

OTHER SPECIFICATIONS

1. Tempered Glass
2. LCD Display
3. Cavity Light
4. Maximum Temperature Of 225°C
5. Double Glazed Door
6. Stainless Steel Cavity
7. Side Rack
8. 1x Baking Plate + 1x Grill Rack
9. 1.2m Power Cable Included
10. 10x Microwave Power Levels: 100-1000W

FUNCTIONS

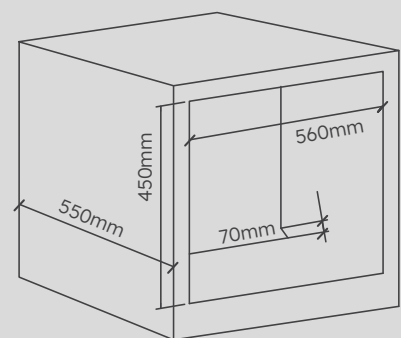
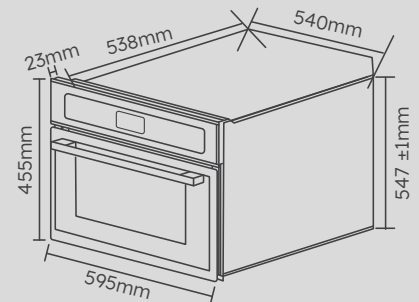
- Microwave
- Defrost
- Fan Heat
- Top Grill + Fan
- Conventional Heat + Fan
- Microwave + Fan Heat
- Microwave + Top Grill + Fan
- Microwave + Conventional Heat + Fan, Light

AUTOMATIC RECIPES

Milk, Soup, Noodles, Vegetables, Bread, Fish, Meat, Chicken

POWER SUPPLY

Voltage:	220-240V~	Microwave Input:	1500W
Frequency:	50Hz	Convection:	2550W
Microwave Output:	1000W, 2450MHz	Combination:	2550W



Dimensions:

W595 x L561 x H455mm

Cut Out Dimensions:

W560 x L550 x H450mm

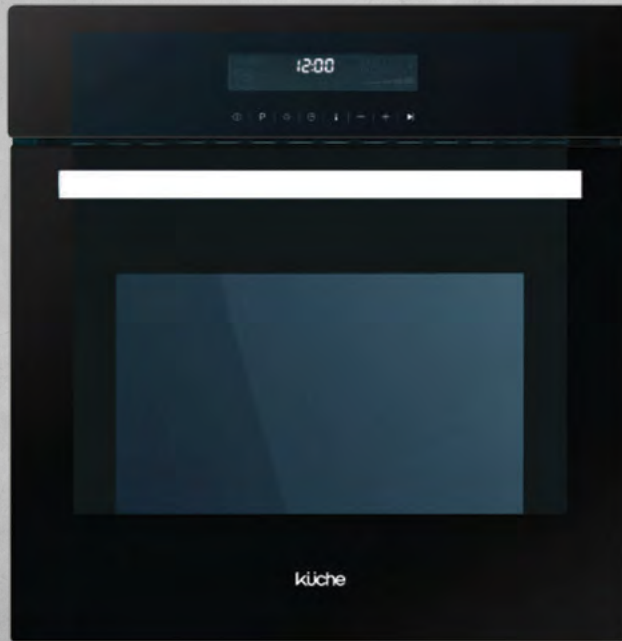
A distinguished brand of

 CityEnergy

KEO670GW

67L Smart Wi-Fi Built-In Oven

küche



Wi-Fi
SERIES



Stainless Steel



Black

SPECIFICATIONS



Control Timer
And Temperature



Child Safety Lock



Touch Control



Capacity: 67L

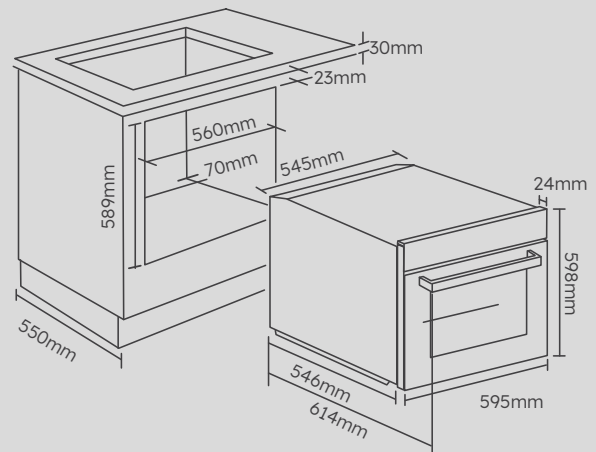


11x Functions

1. 60cm Multi-Function Oven With Tempered Glass
2. Equipped With A Rear Heating Element
3. Turbo Fan For Efficient Heat Distribution
4. Advanced Touch Control With An LED Display
5. Sleek Black Design
6. 1.2m Power Cable Included

POWER SUPPLY

Voltage: 220-240V~
Frequency: 50/60Hz
Total Rated Power: 2700-3220W



Dimensions: W595 x D546 x H598mm
Dimensions Including Handle: W595 x D614 x H598mm
Cut Out Dimensions: W560 x D550 x H589mm

APP FEATURES



Usage And Error
Notification



Control Timer
And Temperature
Remotely



Save
Recipes



Data
Analytics



Monitor
Oven
Activity

Download The
iAppliances App
For Smart Control



Download on the
App Store



GET IT ON
Google Play

A distinguished brand of

CityEnergy

KSO53G

Built-In Steam Oven With Fan Grill

küche



Fan Grill



Black

SPECIFICATIONS



Control Timer
And Temperature



Child Safety Lock



Touch Control



Capacity: 53L

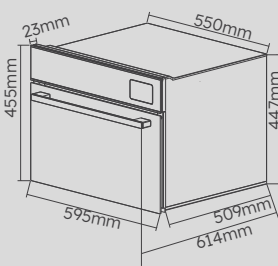


8x Functions

1. 304 Stainless Steel Or Tempered Glass
2. Digital Timer
3. Stainless Steel Oven Compartment
4. Temperature Control Between 40°C To 100°C
5. Variable Grill Temperature Control Between 50°C To 220°C
6. Variable Steam Combined Grill Temperature Control Between 100°C To 225°C
7. Comes With Triple-Glazed Removable Door, With Auto Steam Pause Function For Safety.
8. Self-Cleaning Function
9. Large Capacity Of 1.4L Water Tank
10. 1.2m Power Cable Included

FUNCTIONS

- Defrost
- Fan Force
- Grill
- Grill With Fan
- Steam
- Steam With Fan
- Steam With Fan Convection
- Descaling



Dimensions:

W595 x D509 x H447mm

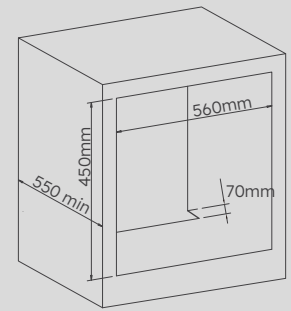
Dimensions

Including Handle:

W595 x D614 x H455mm

Cut Out Dimensions:

W560 x D550 x H450mm



POWER SUPPLY

Energy Rating:

A

Voltage:

220-240V~

Frequency:

50Hz

Total Rated Power:

3050W

A distinguished brand of

CityEnergy

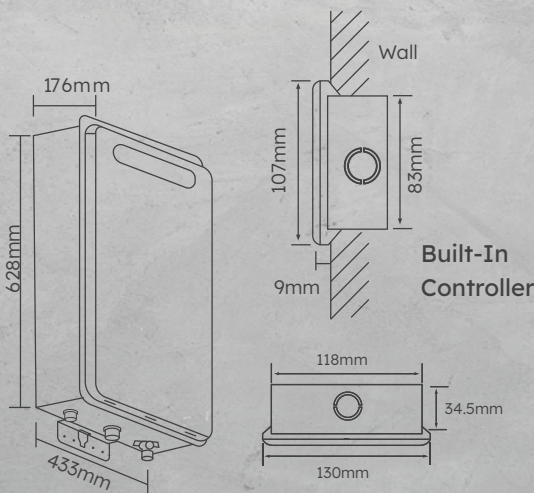


KGH20W

20L/Min Smart Gas Water Heater (Standalone)



KGH-R8W



External Dimensions:
H628 x W433 x D176mm

SPECIFICATIONS



Temperatures Setting Up To 60°C



Programmable Timer For Preheat Function



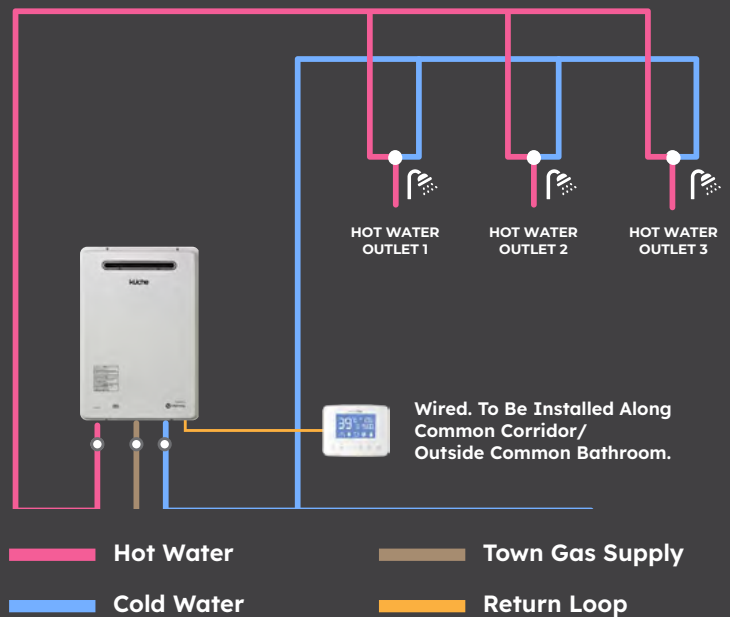
26x Safety Features

1. Large Display Multifunction Remote Controller
2. Programmable Timer For Preheat Function
3. App Control
4. Bathtub Filling Alarm
5. Wide Range Of Temperatures Setting Up To 60°C
6. Diagnostic Error Code Display
7. Hot Water Instantly Available With Preheat Function
8. Constant Hot Water
9. 26x Safety Features Incorporated
10. Self-Safety Check Before Operating
11. Weather Resistant Outdoor Model
12. 4-Stage Combustion For Increased Comfort

POWER SUPPLY

Voltage: 220-240V~
Frequency: 50/60Hz
Rated Power: 35W (Water Heater)

STANDALONE MODEL



Download The
iAppliances App
For Smart Control



Download on the
App Store



GET IT ON
Google Play

A distinguished brand of
 CityEnergy

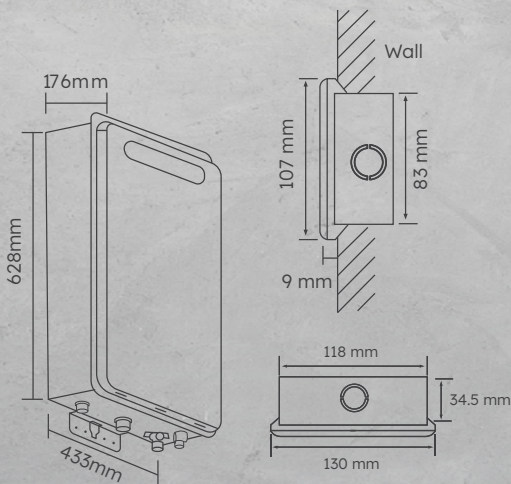
küche

KGH20PW

20L/Min Smart Gas Water Heater With Built-In Circulation



KGH1P



External Dimensions:
H628 x W433 x D176mm

SPECIFICATIONS



Temperatures Setting Up To 60°C



Programmable Timer For Preheat Function



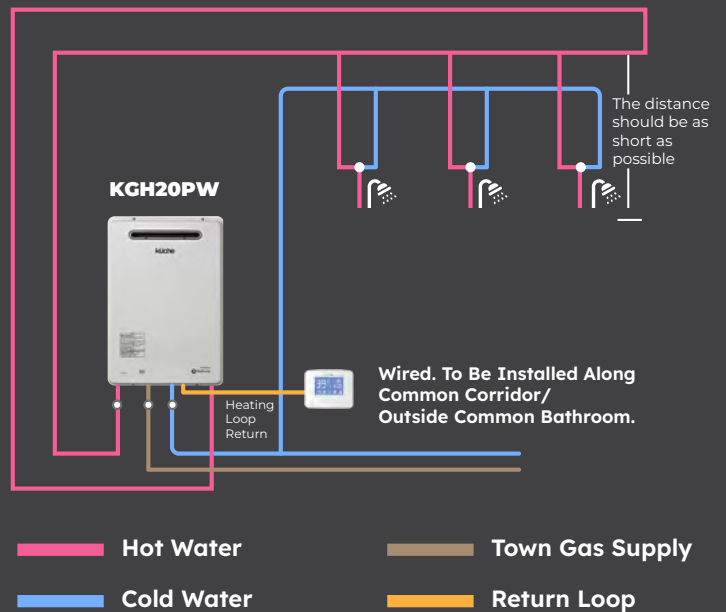
26x Safety Features

1. Large Display Multifunction Remote Controller
2. Programmable Timer For Preheat Function
3. App Control
4. Bathtub Filling Alarm
5. Wide Range Of Temperatures Setting Up To 60°C
6. Diagnostic Error Code Display
7. Hot Water Instantly Available With Preheat Function
8. Constant Hot Water
9. 26x Safety Features Incorporated
10. Self-Safety Check Before Operating
11. Weather Resistant Outdoor Model
12. 4-Stage Combustion For Increased Comfort

POWER SUPPLY

Voltage: 220-240V~
Frequency: 50/60Hz
Rated Power: 35W (Water Heater) / 90W (Circulation)

BUILT-IN CIRCULATION MODEL



Download The iAppliances App For Smart Control



Download on the App Store



GET IT ON Google Play

A distinguished brand of
CityEnergy

küche
appliances made simple

Shop
now at:



life by  CityEnergy



Plaza Singapura, #03-77/78,
68 Orchard Road, Singapore 238839
11AM - 9.30PM (Daily)
life@cityenergy.com.sg





Shop Online
cityenergylife.com.sg

For commercial enquiries, please get in touch:

 6578 7873  residentialsales@cityenergy.com.sg

  [cityenergysg](https://www.instagram.com/cityenergysg)

 [kuche.sg](https://www.instagram.com/kuche.sg)

 [kuchesg](https://www.youtube.com/kuchesg)